

# High Performance 30X IP Speed Dome

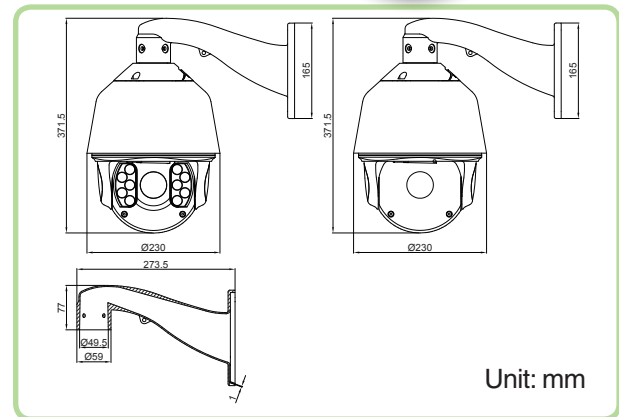
## NP6302HAB NP6302HAIB

**Full HD:** 1080P video resolution  
**True PTZ:** Pan: 360° / Tilt: -10°~90° with auto flip  
**Easy Install:** Suspended quick installation structure  
**Easy Setup:** Full function by OSD control  
**Indestructible:** IP66 water proof  
 Level 2 lightning protection  
 3KV surge protection



### FEATURES

- H.264 compression mode
- Programmable 255 preset positions
- 4 Pattern tours, each one with 160 secs memory, 500 programmable instructions
- 8 auto scan tracks with settable left-right boundaries and scan speed
- 8 cruising tracks, each cruising track has 16 preset points
- Wiper is equipped to keep a clear and crispy image
- Includes built-in fan and heater
- IP66 water proof and IK10 vandal proof



### SPECIFICATIONS

#### Camera

Image Sensor	1/3" progressive scan CMOS
Effective Pixels	1920x1080@30fps, 1920x1080@25fps
Optical Zoom	30x optical zoom
Focal Length	f =4.5 mm ~ 135 mm F1.6 (wide) ~ F4.4 (tele)
IRIS	Auto / Manual
Day & Night	Auto / Color / Black and White
Focus Mode	Auto / Manual
S/N Ratio	more than 50dB
BLC	On / Off
WDR	On / Off
White Balance	Auto / Manual
Shutter Time	1 ~ 1/30,000 sec
Min. Illumination	Color: 0.05Lux@(F1.6,AGC On) B/W: 0.01Lux@(F1.6, AGC On)

#### Network

Max. Image Resolution	1920x1080
Dual Stream	Support
Security Measures	Password protection, multiuser access control
Protocols	TCP/IP,HTTP, DHCP,DNS,DDNS,RTP, RTSP,PPPOE, NTP,UPNP,SNMP,FTP, 802.1x,QoS,HTTPS,IPv6,SIP,SRTP,ONVIF
Interface	1 network interface, 1 power input
Audio	Support
microSD Card Slot	Yes

#### IR Leds (NP6302HAIB Only)

IR Leds	10 high power array IR leds
IR Range	150m

IR Action Mode	Auto / Manual / Camera
IR Led Power	20W
<b>Pan &amp; Tilt</b>	
Pan Range	360° endless
Pan Speed	Pan Manual Speed: 0.01°-360°/s, Pan Preset Speed: 360°/s
Tilt Range	-10° - 90° (Auto Flip)
Tilt Speed	Tilt Manual Speed: 0.1°-120°/s, Tilt Preset Speed: 120°/s
Number of Preset	255
Group	8 patrols, up to 16 presets per patrol
Swing	8 scans with settable left and right boundaries
Pattern	4 patterns, up to 500 instructions per pattern
Auto scan	1 auto scan
<b>General</b>	
Wiper	Standard Configuration
Power Box	Optional
Power Supply	AC24V ±10%
Power Consumption	50W
Working Temperature	-35°C ~ 55°C
Working Humidity	90% or less (No Condensing)
Protection Level	IP66 standard, Level 2 lightning protection, 3KV surge protection, IK10 vandal proof
Mounting	Various mounting modes option: wall-mount, pendant-mount
Weight (approx.)	5kg
Accessories	Wall-mount bracket, Power (AC24v)