

# PASSIVE INFRARED SENSOR (PET IMMUNE)

**PA-450PI** (Wide Angle: 36' / 11m)



# TAKEX<sup>®</sup>

TAKEX newly developed 4-bit exclusive microprocessor for PA-450PI.

In addition to improvement of pulse count, PA-450PI is equipped with Auto-reset memory.

## Features

- **PET IMMUNITY**  
Multiple Zone Technology ensures 44lbs (20kg) pet immunity with outstanding high performance and reliability. The newly developed pet immune lens creates precise alignment of each "pet zone" with the CPU.
- **HIGH STABILITY**  
Immunities against radio frequency, power line noise, radiation noise and static electricity are improved.
- **SILENT RELAY**  
Photo-mos FET switch relay adopted at alarm output. Completely noiseless by eliminating the movable part which is inside of the relay. At the same time, quick response and long life are maintained.
- **VARIOUS FUNCTIONS**  
All the models are equipped with Tamper, Auto-reset memory, Photo-mos FET switch.
- **AREA ADJUSTMENT**  
The coverage pattern can be adjusted to allow for different mounting heights by moving the inner unit.

## Specifications

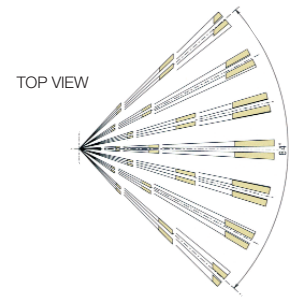
Model	Passive Infrared Sensor
Model Number	PA-450PI
Detection System	Passive infrared
Detection Area	Wide angle: 36' (11m) Max
Sensitive Zone	29 pairs
Supply Voltage	10 to 18 VDC (non-polarity)
Current Consumption	25mA Max
Alarm Output	Dry contact (semi-conductor) (N.C./N.O selectable) Reset: approx. 2 sec., Rating: 24V, 0.25A Max (Protective resistance 3.3Ω)
Tamper Output	0.1A, 30V (N.C.)
Alarm LED (Red)	<ul style="list-style-type: none"> <li>Blinking at warming up</li> <li>Lighting at alarm (LED disabled)</li> <li>Blinking at memory activated (3min.)</li> <li>Lighting at memory indication (47min.)</li> </ul>
Coverage Adjustment	Vertically 3 steps
Pulse Count	2/4 selectable
Alarm Memory	Auto reset: 3 minutes blinking, 47 minutes lighting and automatically reset
Low Voltage Notice	Dry contact alarm
Ambient Temperature	-15°C to +55°C (+5°F to +131°F) without condensation
Mounting Position	Indoor use only (ceiling mount with optional attachment BCW-401)
Weight	120g (4.2 oz.)
Appearance	Body: ABS resin, Lens: PE resin

Due to ongoing product improvements, specifications may change without notice.

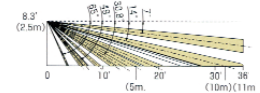
The passive infrared sensor is designed to detect infrared energy variations caused by the presence of a human body. Therefore, note that similar variations in conditions in protected area, due to other reasons, may cause the sensor to create an alarm as it is unable to distinguish between sources.

## Coverage (m/feet)

•PA-450PI  
WIDE ANGLE



SIDE VIEW

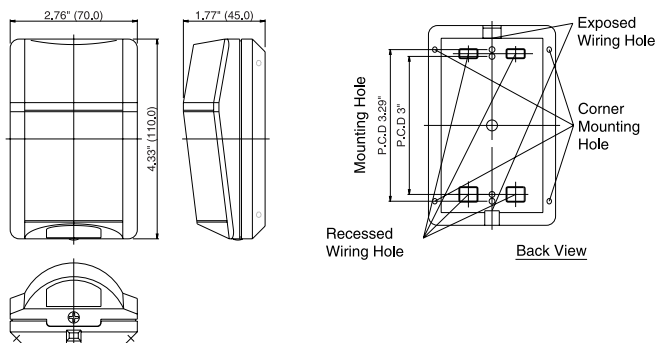


## Options

Wall/ Ceiling mount attachment  
BCW-401



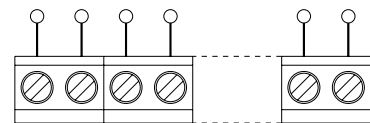
## External Dimensions (mm/inch)



## Terminal Arrangement

< STANDARD ARRANGEMENT >

POWER	ALARM	TAMPER
10-18VDC 25mA non-polarity	24V/0.25A (AC/DC) N.C./N.O.	30VDC/0.1A N.C.



Note: This sensor is designed to detect intrusion and to initiate an alarm. It is not a burglar-preventing device. TAKEX is not responsible for damages or losses caused by accidents, thefts, Acts of God (including inductive lightning), abuses, misuses, abnormal usages, faulty installation or improper maintenance.



**TAKEX Europe Ltd.**

Aviary Court, Wade Road  
Basingstoke, Hants RG24 8PE, U.K.  
Tel: 44 (1256) 475555  
Fax: 44 (1256) 466268  
Email: sales@takexeuropa.com  
Website: www.takexeuropa.com

PA-450PI DS-12 03  
(CRI-140)